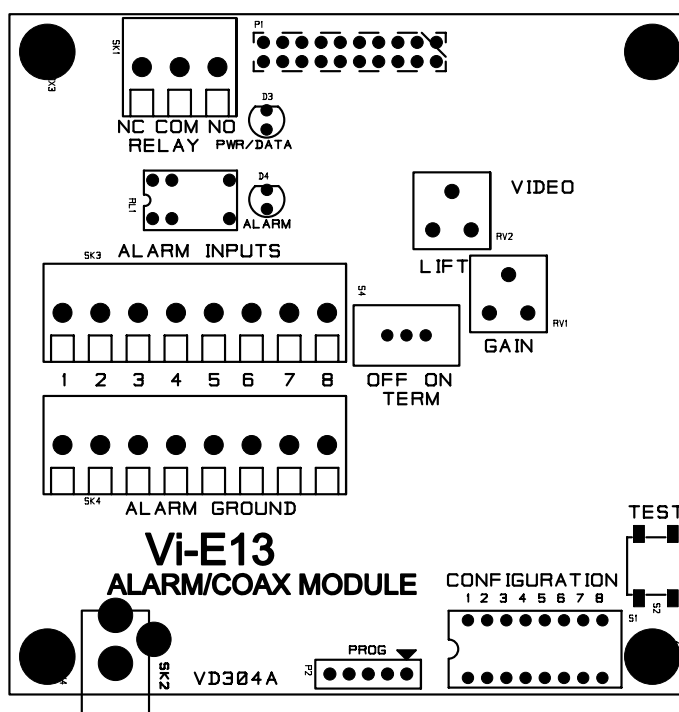


1. This interface is for use with Videoswitch CMOR domes Vi-D5030 and Vi-D5030A with Vi-PSU1C and VI-PSU1D/12V/A
2. Vi-E13 provides BBV up-the-coax capabilities and also 8 alarm inputs
3. Remove power from power supply and fit this PCB into the OPTION connector.
4. Secure with 4 M3 screws.
5. Video to DVR connects to PSU as usual.
6. Dome connects to PSU as usual
7. Connect alarms to ALARM INPUTS 1-8 and ALARM GROUND 1-8
8. Turn GAIN and LIFT pots to minimum (fully clockwise)
9. If being controlled by RS485, set TERM switch ON unless within a daisy chain.
10. Set switches to specify input protocol, output protocol (to match dome) and alarm sense. Default is all OFF.
11. Power up and wait 30s while coax receiver auto-tunes. Power light flashes quickly while tuning.
12. Press TEST switch to check that dome goes through pan-tilt-zoom sequence. Power light flashes slowly while test is in progress. Press again to cancel, or wait.
13. Adjust GAIN (brightness) and LIFT (sharpness) as required for best image quality on long cable runs.



### Configuration switch settings

Select input protocol

	BBV	PelcoD_2400	PELCO D_9600	LILIN1	LILIN2	MERCER
SW-1	OFF	ON	OFF	ON	OFF	ON
SW-2	OFF	OFF	ON	ON	OFF	OFF
SW-3	OFF	OFF	OFF	OFF	ON	ON

Select output Protocol (\*use these settings for 3rd party Pelco-D domes)

	Vi-D5030_2400	Vi-D5030_9600	Vi-D5030A_2400*	Vi-D5030A_9600*
SW-4	OFF	ON	OFF	ON
SW-5	OFF	OFF	ON	ON

Preset Mapping

SW-6 OFF=Normal ON=Use preset 8 for WIPER

Reserved

SW-7 OFF=Normal ON=signal quality monitoring

Select alarm sense

SW-8 OFF=alarm normally open, ON=alarms normally closed