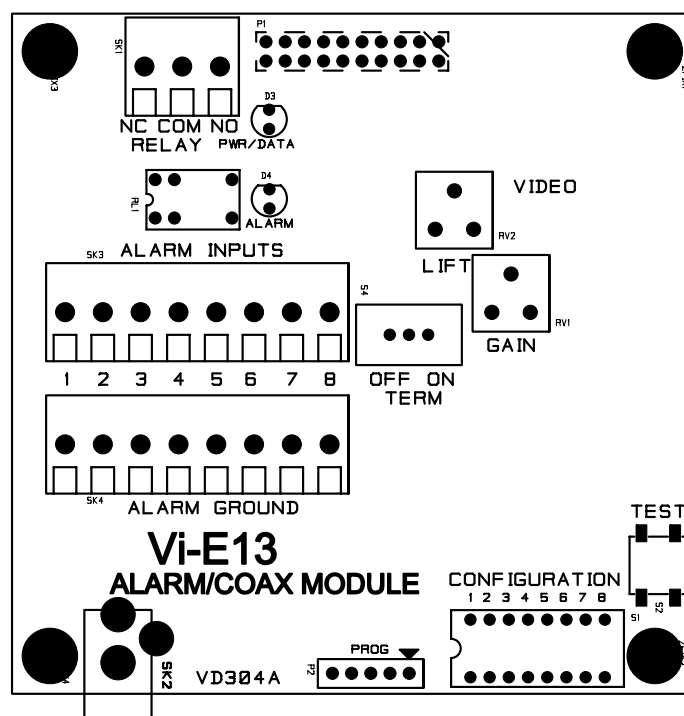


1. This interface is for use with Videoswitch CMOR domes type Vi-D5030 and Vi-D5036 and Vi-PSU1C
2. Vi-E13 provides BBV up-the-coax capabilities and also 8 alarm inputs
3. Remove power from power supply and fit this PCB into the OPTION connector.
4. Secure with 4 M3 screws.
5. Video to DVR connects to PSU as usual.
6. Dome connects to PSU as usual
7. Connect alarms to ALARM INPUTS 1-8 and ALARM GROUND 1-8
8. Turn GAIN and LIFT pots to minimum (fully clockwise)
9. If being controlled by RS485, set TERM switch ON unless within a daisy chain.
10. Set switches to specify input protocol, output protocol (to match dome) and alarm sense. Default is all OFF.
11. Power up and wait 30s while coax receiver auto-tunes. Power light flashes quickly while tuning.
12. Press TEST switch to check that dome goes through pan-tilt-zoom sequence. Power light flashes slowly while test is in progress. Press again to cancel, or wait.
13. Adjust GAIN (brightness) and LIFT (sharpness) as required for best image quality on long cable runs.



### Configuration switch settings

select input protocol

SW-1	OFF) BBV coax	ON) PelcoD 2400	OFF) PelcoD 9600
SW-2	OFF)	OFF)	ON)
SW-3	OFF)	OFF)	OFF)

Select output Protocol

SW-4	OFF) PelcoD 2400	ON) PelcoD 9600
SW-5	OFF)	OFF)

Preset Mapping

SW-6	OFF=Normal	ON=Use preset 8 for WIPER
------	------------	---------------------------

Spare

SW-7 OFF

Select alarm sense

SW-8 OFF=alarm normally open, ON=alarms normally closed